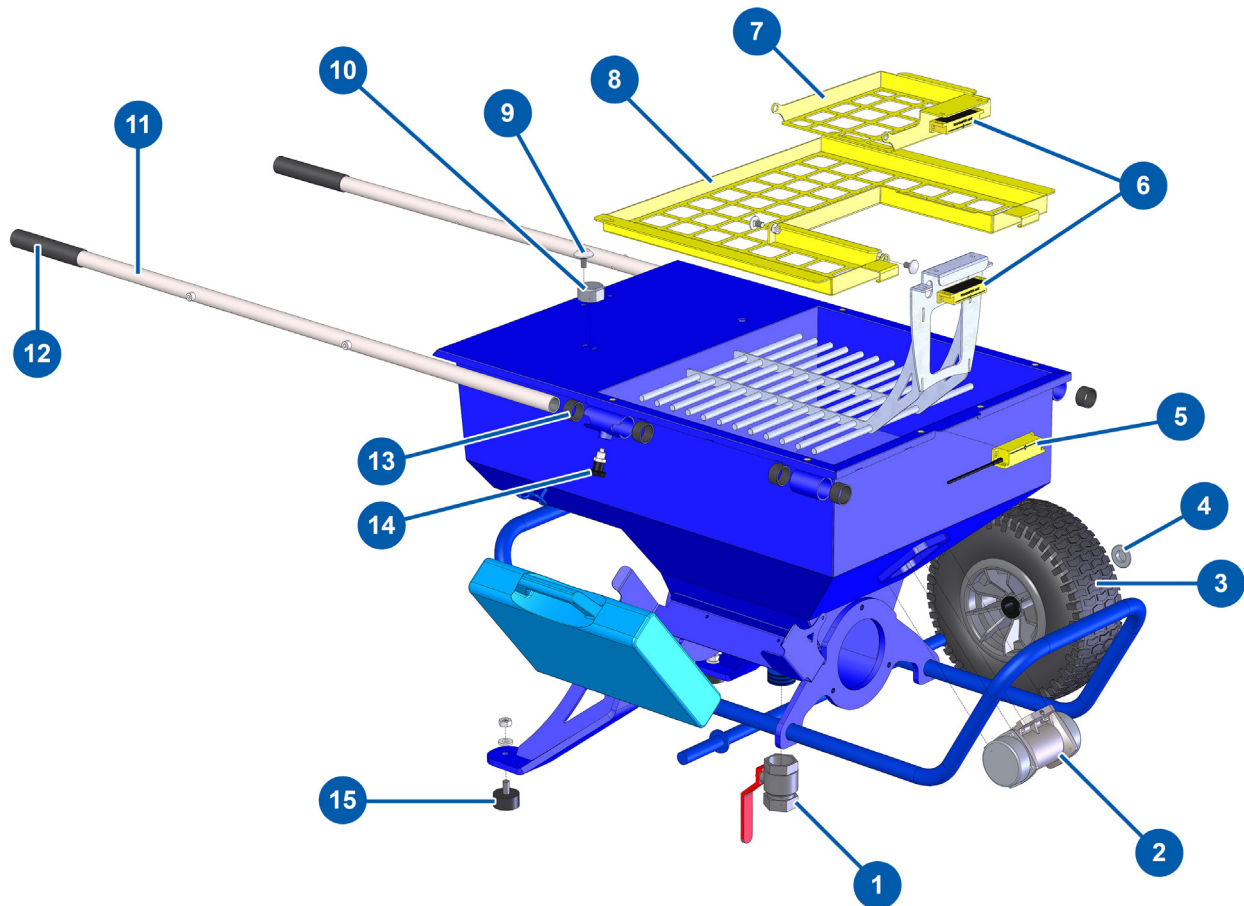
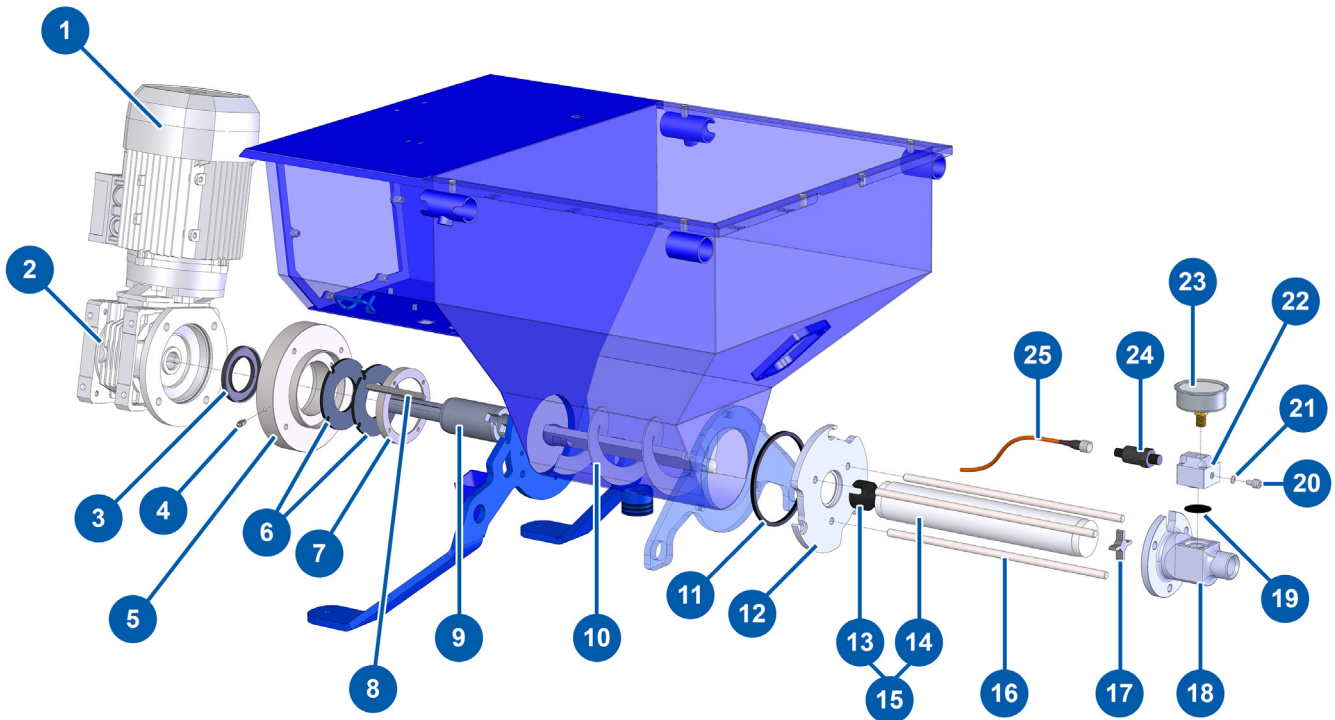


Chassis JPCS-MS100



1	30152	Drain valve for EUROPRO 24P and MPE 300
2	11997	Single vibrator - 230V
3	12319	Complete wheel 320 with axle of 20
4	90281	Chromed clips Ø 20
5	12120	Grid safety sensor for JETMIX, MIXPRO 14, 70 & 100
6	13468	Safety grid captor coded magnet for JETMIX, MIXPRO 14, 70 & 100
7	C21373	JETMIX upper safety grid hatch
8	C21371	JETMIX safety grid
9	M10456	MIXPRO 70 rotation knob
10	M10487	JETMIX lateral stop
11	C21326	JETMIX machine arm
12	90255	Arm handle for EUROPRO 24P, E50 and E100
13	13453	Cylindrical bearing 26/30 x 16
14	13454	M12 X 1.5 indexage pin
15	30145	Ø 40 x 20 M10 stop

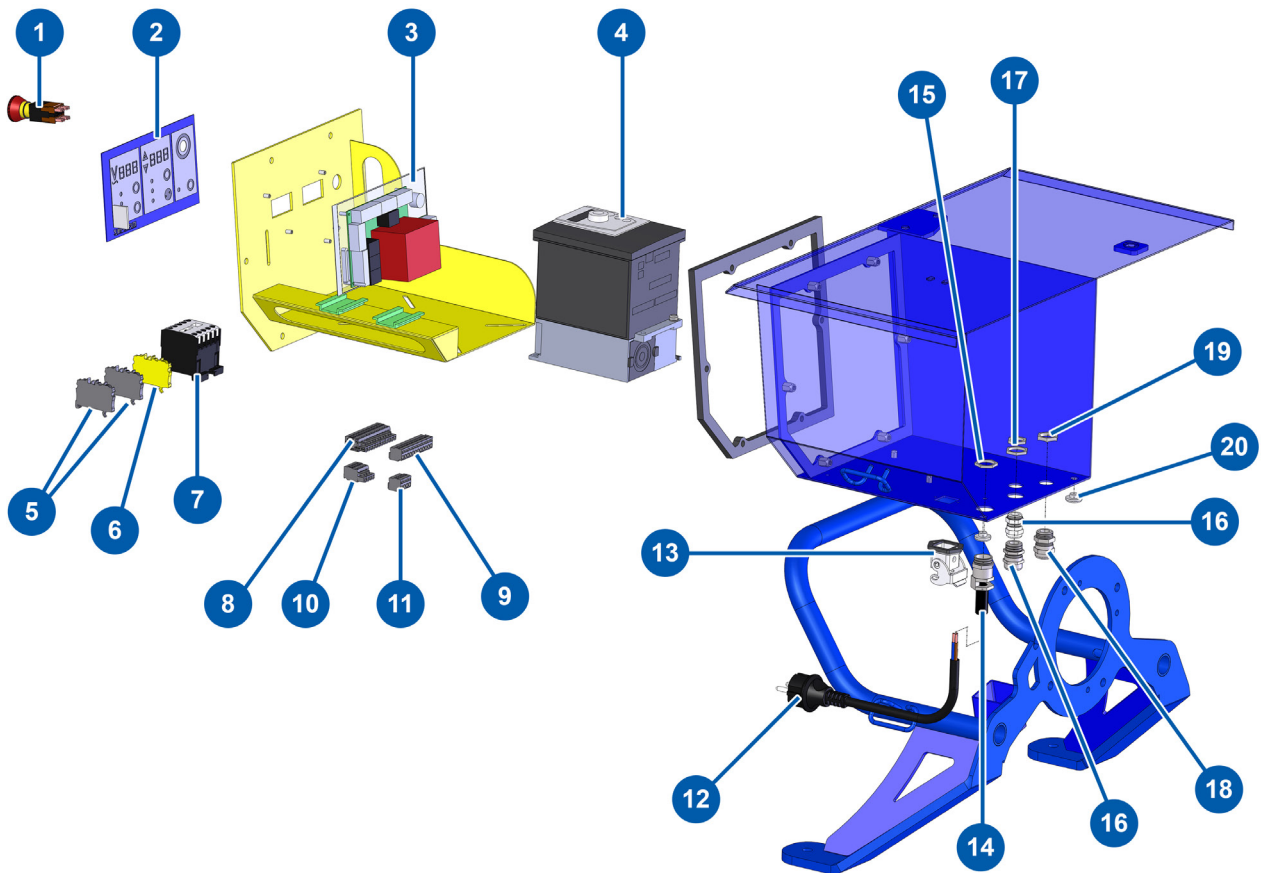
Transmission PCS-MS100



1	90189	Electric motor for EUROPRO 24P
2	13458	Speed reducer for JETMIX 100
3	70107	Spi seal 50 x 80 x 8 for 24P,24PT, MPE300, COMPACT-PRO 30
4	60012	M6 greaser
5	M10468	BONFI motor spacer flange for JETPRO, JETMIX 80 & 100
6	12507	Bottom of tank seal for JETPRO 80
7	M10222	Flange seal for JETPRO 80 & 120
8	90750	Rounded parallel key 8 x 7 x 100 for 24 P and 24 PT
9	M10221	Driving shaft for EUROPRO JETPRO 80
10	C20561	Connecting rod for JETPRO 80
11	12506	4-lobes seal for JETPRO 80 flange
12	M10224	JETPRO 80 flange
13	MI7009107700	EUROPRO JET 2 pump HR chromed rotor bayonet head
14	MI3F00529100	EUROPRO JET 2 pump stator

15	30791	Rotor/Stator kit for EUROPRO JET 2 pump
16	M10226	Fastening tie rod for JETPRO 80
17	C20603	Ø 40 stator flange crosspiece for JETPRO 80, MIXPRO 14
18	M10227	Stator flange for JETPRO 80
19	12913	Pump nose manometer membrane for JETPRO 80, 120, JETBAG 120
20	90798	M6 x 10 cylindrical head screw - CP60
21	12765	Copper seal for JETPRO 80 pump nose
22	M10228	Stator flange lid for JETPRO 80
23	12623	63 mm axial manometer 1/4 conical - 0 to 160 bar
24	12560	250 bar pressure sensor for JETPRO and JETBAG 120
25	12409	M12 straight female connector with 2m cable

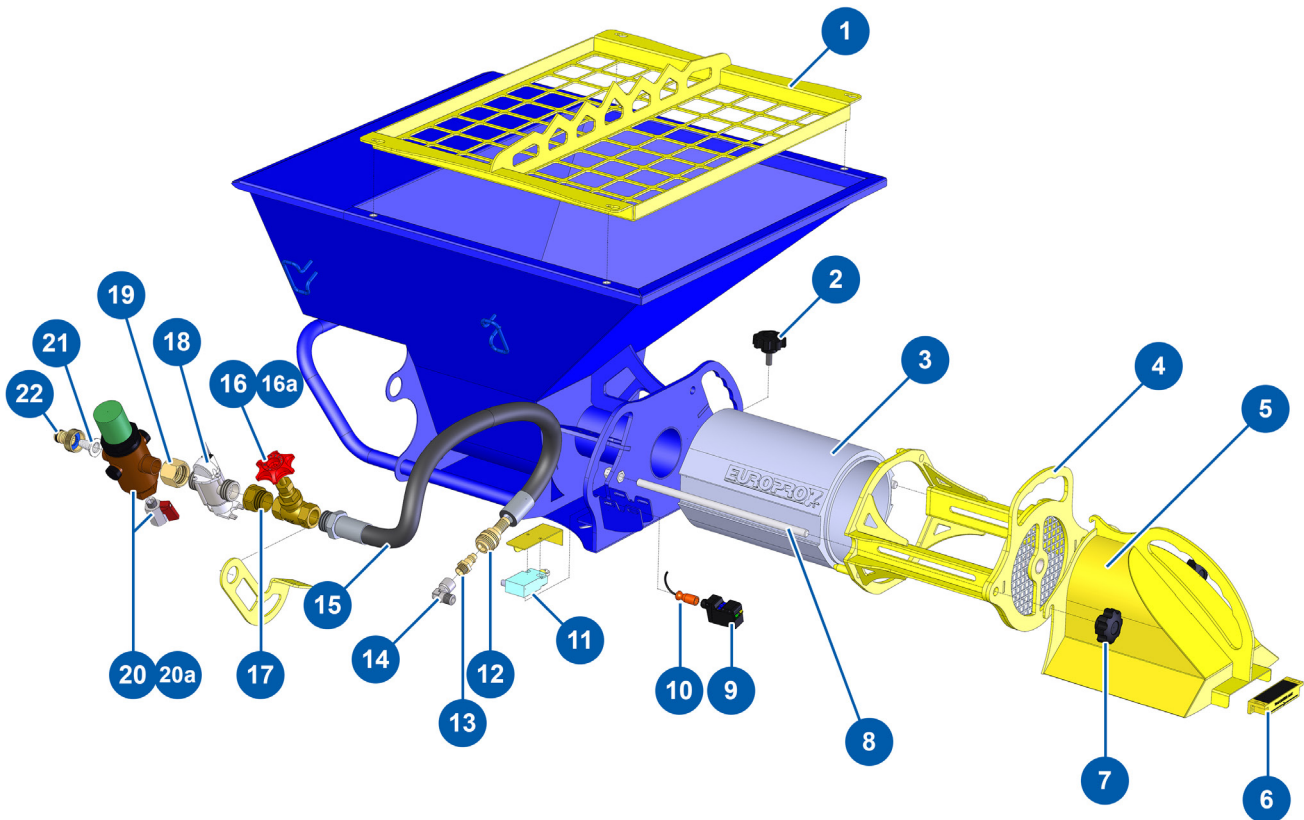
Electric box PCS-MS100



1	13015	Hanging EMERGENCY STOP button Ø16
2	13009	Membrane front panel for JETPRO
3	30628	Electronic board for JETMIX 100
4	13089	Inverter for JETPRO 100
5	80467	Grey conductor block 4 mm ²
6	30038	Yellow and green conductive block 6 mm ²
7	11918	Coil contactor 24 Volt AC
8	11771	12 pins male connector
9	11772	12 pins female connector
10	12755	4-pin female connector
11	12754	4-pin male connector

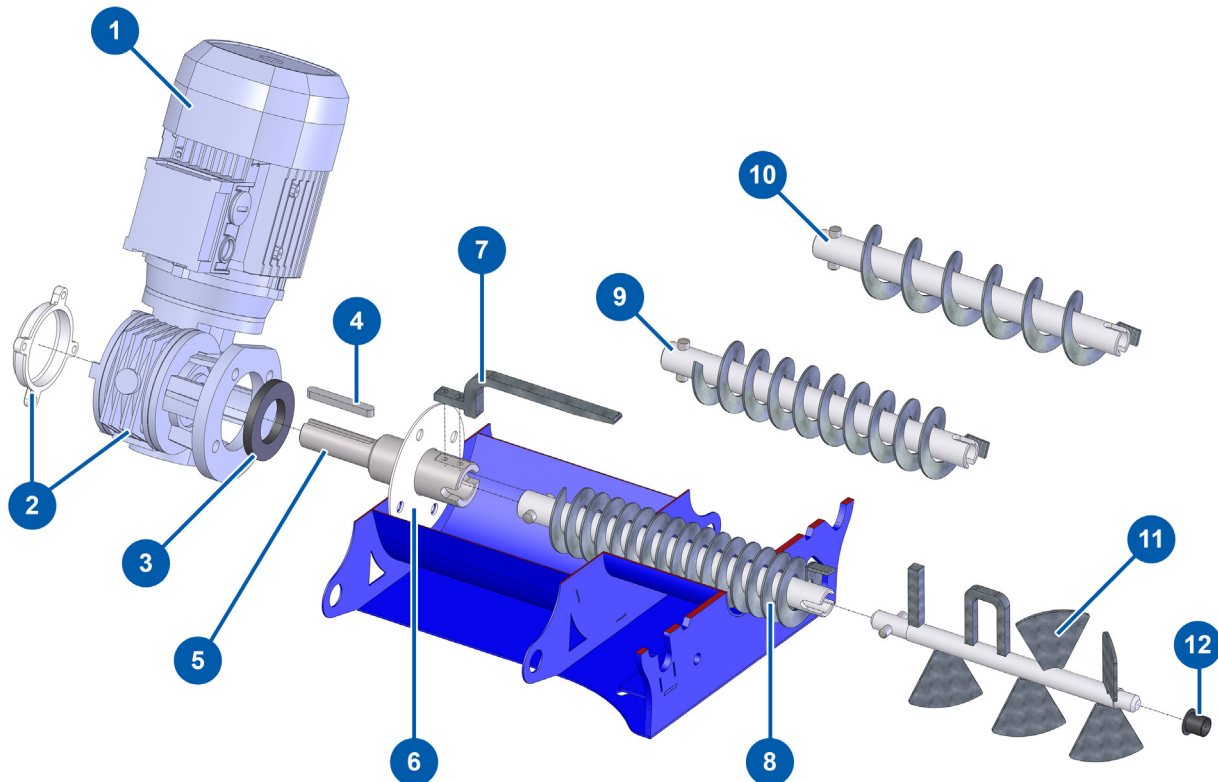
12	90214	Power cable with molded plug 3G 2,5 mm ²
13	11915	1 lever blowing machine insulating base 3 p + T
14	80451	Brass cable gland of 13 for power cable
15	30054	Cable gland locknut of 13
16	30040	Nickel plated watertight cable gland of 11 CEM
17	30333	Cable gland locknut of 11 CEM
18	80445	Nickel plated watertight cable gland of M16
19	11327	Cable gland locknut of M16
20	80397	Water exhaust cork for electrical box

Chassis PCS-MS100



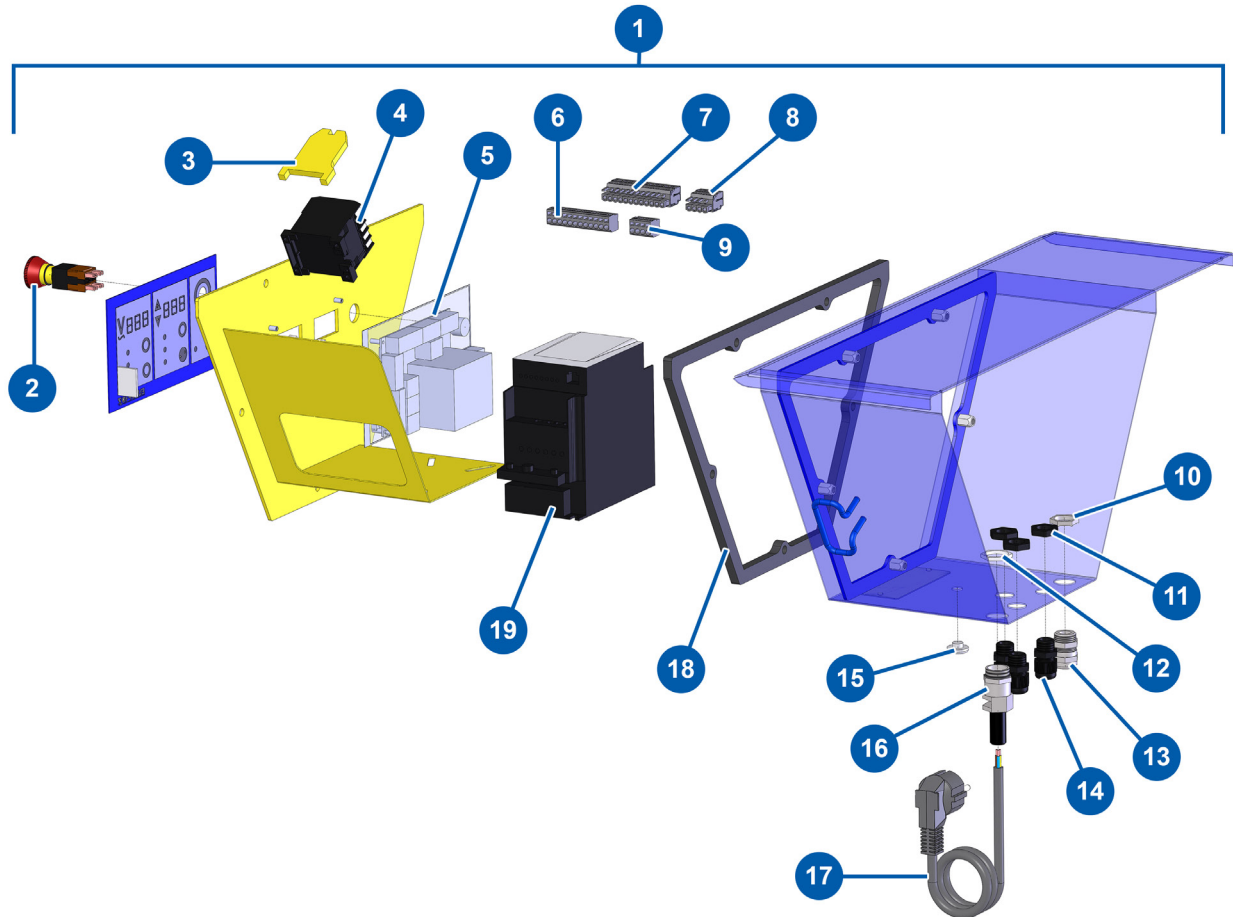
1	C21226	Safety grid for MIXPRO 70	14	30121	90° low-pressure elbow 1/4 MaleC x 1/4 FemaleD
2	13455	Ø35 threaded plastic steering wheel M6 x 20	15	13478	MIXPRO 70 mixing chamber flow meter supply hose
3	13559	P.U. mixing chamber for MIXPRO 70	16	12470	Needle valve 1/2"F x 1/2"F MIXPRO 14
4	C21465	Support for MIXPRO 70 P.U. mixing chamber	16	M10231	Wheel for needle valve MIXPRO 14
5	C21454	Gutter for MIXPRO 70 P.U. chamber	17	12562	Nipple BP 3/4" MaleD x 3/4" femaleD
6	13468	Safety grid captor coded magnet for JETMIX, MIXPRO 14, 70 & 100	18	14082	Flowmeter electrovalve with 5-pin connector
7	13432	M10 plastic thumb wheel	19	11311	3/4 femaleD x 3/4 maleD low pressure nipple
8	M10454	Fastening tie rod for MIXPRO 70	20	13502	1,5 to 6 bar water pressure regulator with purge
9	13386	Tank level detector for MIXPRO 70	20a	30135	1/4" mini lux valve
10	12409	M12 straight female connector with 2m cable	21	80128	Filter for 3/4" brass quick connector
11	13431	Limit safety sensor for MIXPRO 70	22	80124	3/4" plastic quick connector
12	70034	3/8" threaded female quick connector			
13	70043	1/4 threaded male quick-connector			

Transmission PCS-MS100



1	13387	Electrical motor for MIXPRO 70
2	13388	Speed reducer for MIXPRO 70
3	13457	Spi seal 40 x 70 x 8
4	90749	Rounded parallel key 8 x 7 x 65 for 6P, 8P, 14P,7000z, 9000z
5	M10455	Driving shaft for MIXPRO 70
6	C21330	Tank reinforcement ring for MIXPRO 70
7	C21259	Tank scraper for MIXPRO 70
8	C21398	Secondary mixing shaft (pitch of 15) for MIXPRO 70
9	C21269	Secondary mixing shaft (pitch of 25) for MIXPRO 70
10	C21449	Secondary mixing shaft (pitch of 40) for MIXPRO 70
11	C21451	Mixing shaft for MIXPRO 70 composite chamber
12	13410	Bearing with flange 15/17 x 17

Electric box PCS-MS100



1	13430	Complete membrane electrical box for MIXPRO 70
2	13015	Hanging EMERGENCY STOP button Ø16
3	30038	Yellow and green conductive block 6 mm ²
4	11918	Coil contactor 24 Volt AC
5	30653	MIXPRO 70 mixer electronic card
6	11772	12 pins female connector
7	11771	12 pins male connector
8	12754	4-pin male connector
9	12755	4-pin female connector
10	30333	Cable gland locknut of 11 CEM

11	1002838	PG 9 cable gland nut
12	30060	11mm cable gland nut
13	30040	Nickel plated watertight cable gland of 11 CEM
14	1002837	PG 9 cable gland for T5
15	80397	Water exhaust cork for electrical box
16	80450	cable gland for 11mm brass supply cable
17	90180	Supply cable with moulded plug 3G 1,5 mm ²
18	13396	EUROPRO MIXPRO 70 electrical box gasket
19	11781	Inverter for 6P, CP10, 7000z, AG80 and 150, MPE150, CP mixer, POLYMAIR